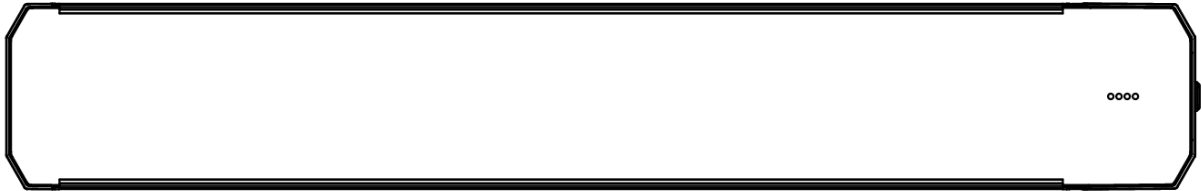


INFRARED HEATER



OWNER'S MANUAL

READ AND SAVE THESE INSTRUCTIONS

Read all instructions carefully before setting up and operating this unit.

This manual is designed to provide you with important information needed to setup, operate, maintain for your radiant heaters.

Failure to follow these instructions may damage and/or impair its operation and void the warranty.



1. SAFETY PRECAUTIONS

This appliance is not intended for use by persons (including children) with reduced physical sensory or mental capabilities, or lack of experience and knowledge, unless they have been given supervision or instruction concerning use of the appliance by a person responsible for their safety.

Children should be supervised to ensure that they do not play with the appliance.

WARNING: In order to avoid overheating, do not cover the heater.

1. If the supply cord is damaged, it must be replaced by the manufacturer, its service agent or similarly qualified persons in order to avoid a hazard.
2. The heater must not be located immediately below a socket outlet.
3. Do not use the same socket together with other appliances, in case of current overload. Make sure the plug and socket good contact.
4. Please pull plugs out when power off. Do not pull wires by hands.
5. Please stop power immediately once heaters failure or wires are broken. Users can not repair heaters by themselves. Please contact authorized servicer for maintenance if heaters failure.
6. Radiant heater cannot be placed directly below the power outlet.
7. Radiant heater surface temperature is high, must be installed higher than 2.2 meters above ground.
8. Radiant heater surface cannot be covered and cannot hang objects on equipment.
9. The distance between back of radiant heater and roof should be larger than 100mm, cannot place objects within 1000mm distance in front of radiant heater, the side should be kept at least 200mm away from the surrounding space.
10. Must cut off power and wait till equipment surface cool before cleaning, flushed by water is prohibited.
11. Users cannot repair the radiant heater, if equipment failure and need maintenance, please contact authorized servicer.
12. Do not install and use radiant heaters on areas occur with flammable,

explosive, easy to shock.

13. Please do not insert any metal or foreign objects to inside of radiant heater, to avoid accident or personal injury.

14. Radiant heater panel surface with high temperature, the surface temperature can reach to 380°C (max), touch is forbidden, beware of scalding accident.

15. Do not splash water into radiant heater to avoid accidents.

2. FOREWORD

Thank you for your trust and support in choosing our far infrared radiant heater, please read the instructions carefully before operating product.

3. INFRARED HEATER THEORY

The far infrared radiant heater uses carbon fiber as the heating body, with glass-ceramic panel. flat panel design, radiate heat transfer, rapid temperature rises during heating. namely instant heating, soft light and no eye injury. When in use, the electric heating element directly transfers heat to people and objects by radiation. Heat is transmitted in the form of radiation. It is emitted from the glass panel and moves in a straight line, which Like the sunlight, transferring heat directly to people, walls, floors, ceilings and furniture. With this radiant heating, the air will not produce convection, so that the air is fresh and clean, the indoor relative humidity can be maintained, and the heat distribution is even, making people feel natural, fresh, comfortable and warm like bathing in the sun.

4. PERFORMANCE FEATURES

Energy saving:

Low heat loss, instant heating, high electrothermal conversion efficiency, instant use, more energy saving.

Safety:

The heater is treated by special process, good insulation, strong flame-retardant and high safety.

Comfortable:

Gentle warmth to human body, no harm to environment. It is clean and warm, no dust, no dry, no noise. It will give you a new heating experience.

Healthy:

It releases far-infrared wave with 6~15 microns, which is the most beneficial wavelength range for human body, also known as “the light of life” in medicine field. It activates human cells, promotes metabolism, and have significant physiotherapy effect for human body.

Using our far infrared radiant heater, not only keep warmth, but also gain health care.

5. WORKING CONDITION

Ambient temperature: -30°C ~ +40°C

Rated Voltage: 220-240V~

Rated frequency: 50Hz/60Hz

Relative humidity: less than 95%

6. INSTALLATION REQUIREMENTS

1. Qualified installer:

The installation must be carried out by trained personnel.

2. Installation conditions:

(1) Supply voltage fluctuation range should be within $\pm 10\%$, if not, please revise before installation.

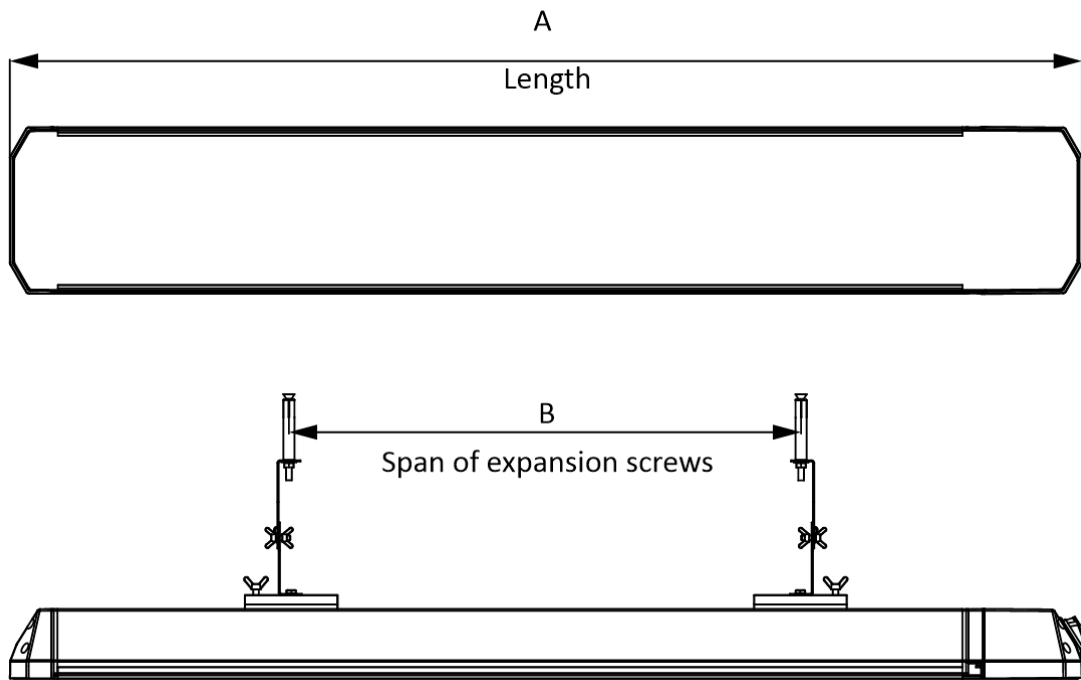
(2) If there is a serious security risk in users' electricity environment, the installation should be refused, until eliminate the security risks.

(3) Electricity lines should be equipped with earth leakage protection devices and master switch.

(4) Ground wire should be connected to the grounding device on the building, if not, please consult to professional installer, please do not put ground wire to gas pipe, water pipe, lightning rod or telephone grounding wire.

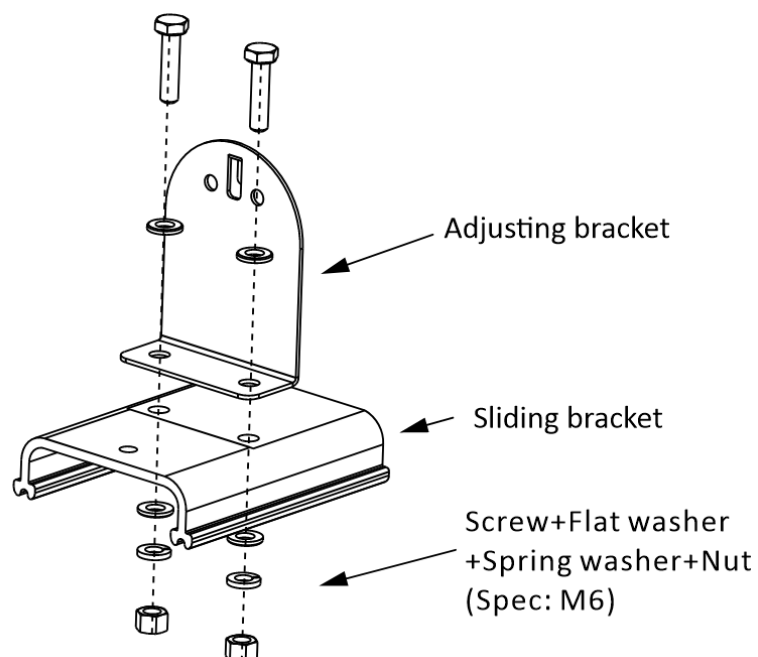
Model No.	Power(W)	Rated Current(A)	Voltage(V)	Cable length(m)
JH-NR16-22B	1600	7.0	220-240	1.1
JH-NR22-22B	2200	9.6	220-240	1.1
JH-NR32-22B	3200	13.9	220-240	1.1

7. INSTALLATION INSTRUCTION

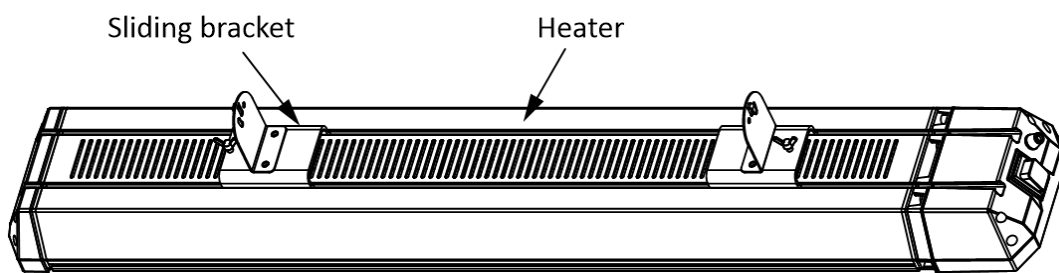


Model No.	Dimension A	Dimension B
JH-NR16-22B	810mm	400mm
JH-NR22-22B	1160mm	600mm
JH-NR32-22B	1660mm	1050mm

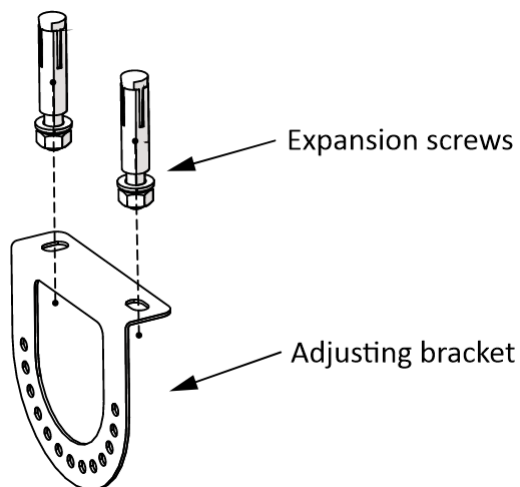
Step 1 : Connect adjusting bracket to sliding bracket.



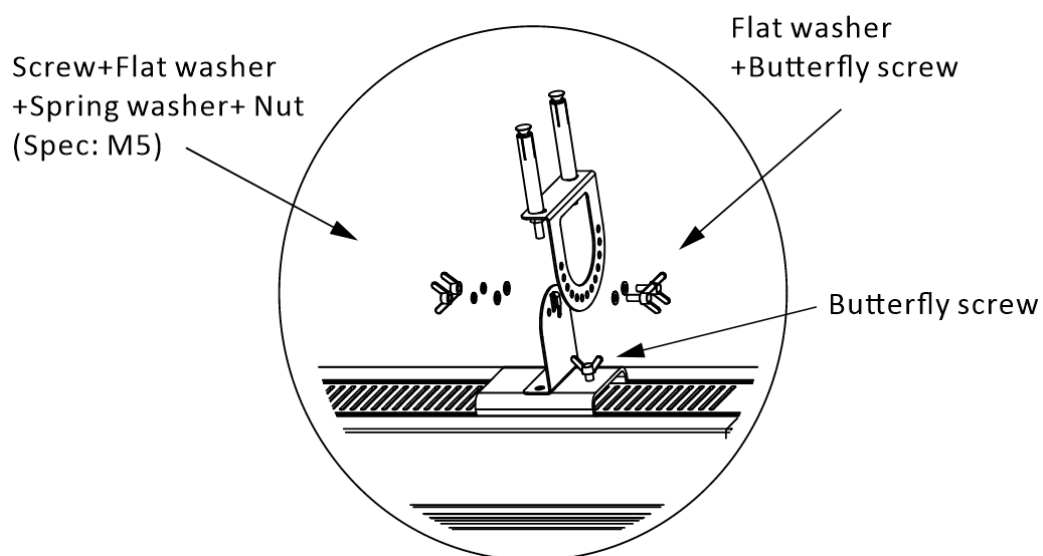
Step 2 : Installation of sliding bracket & heater, as arrow points.



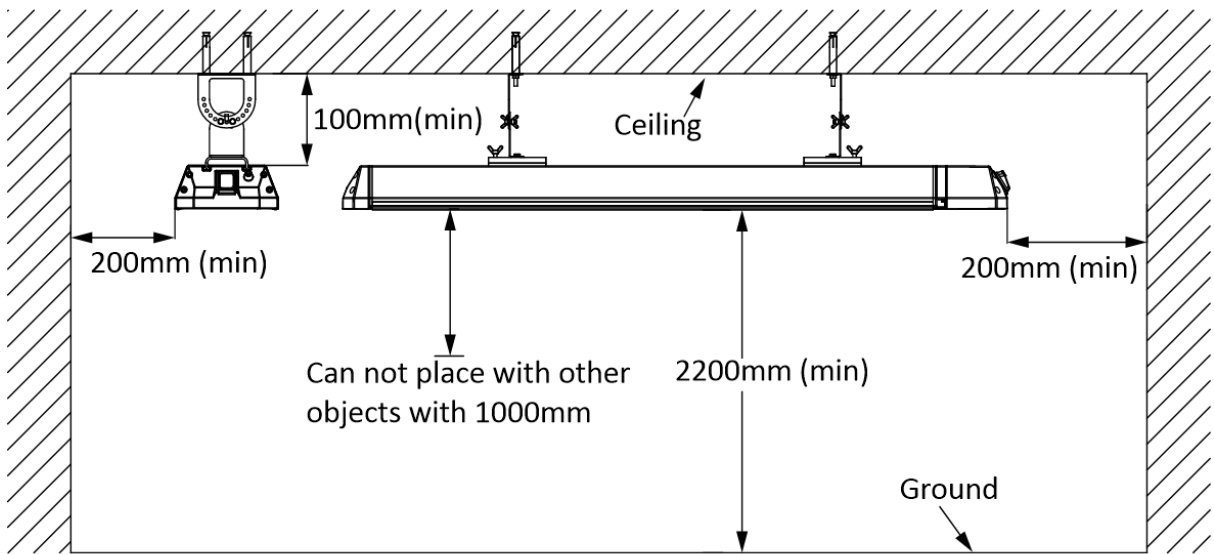
Step 3 : Fix adjusting bracket into the wall by expansion screws.



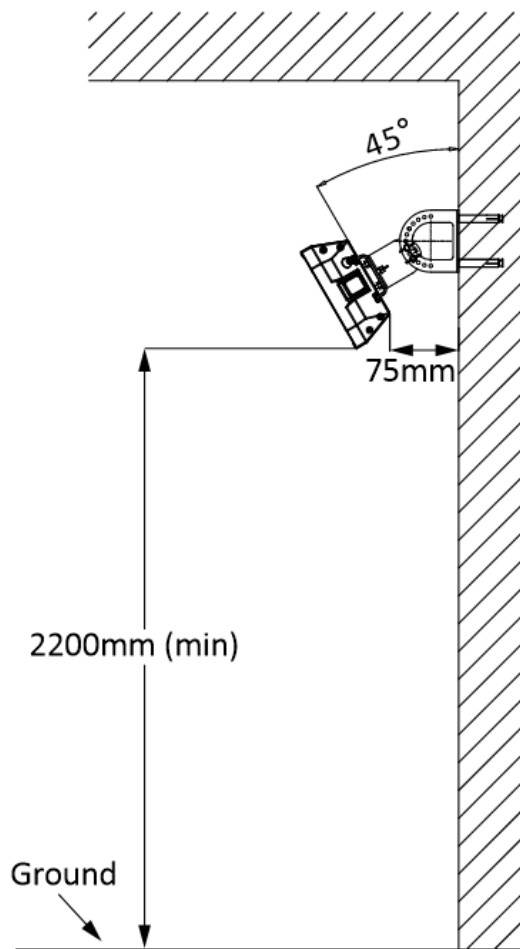
Step 4 : Installation of two adjusting brackets; make sure lock brackets tight by butterfly hand screw.



8. INSTALLATION DIAGRAM

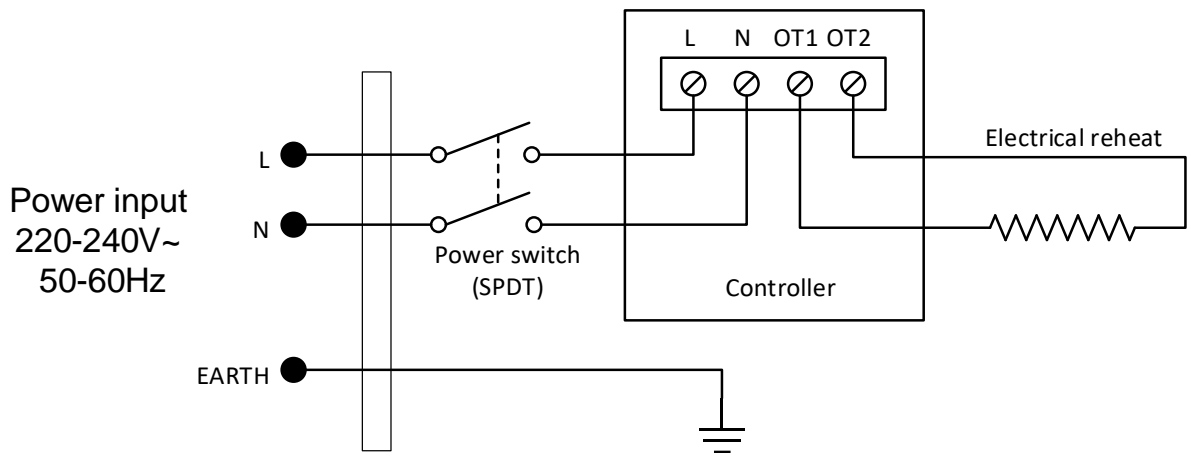


Ceiling installation

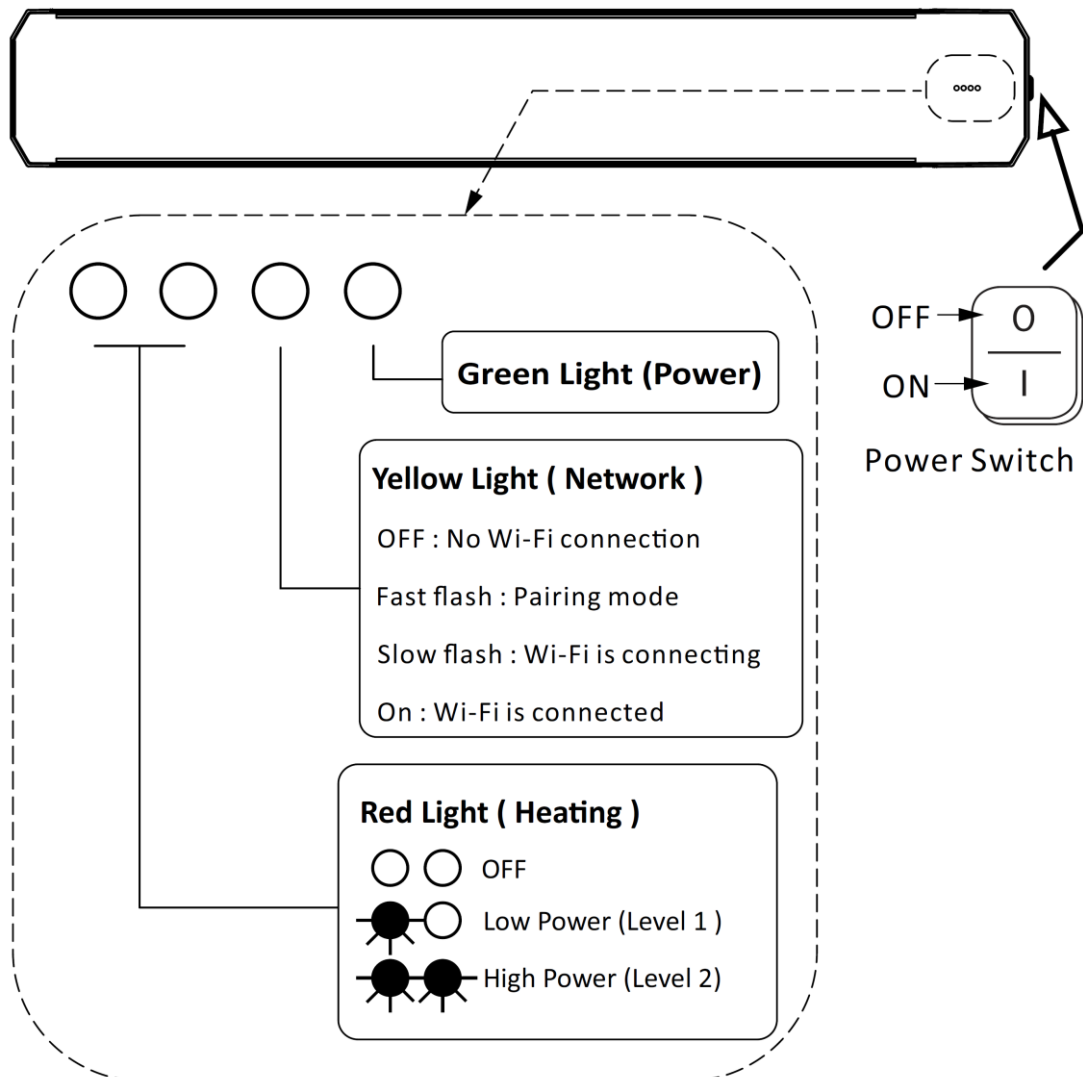


Install vertically in front

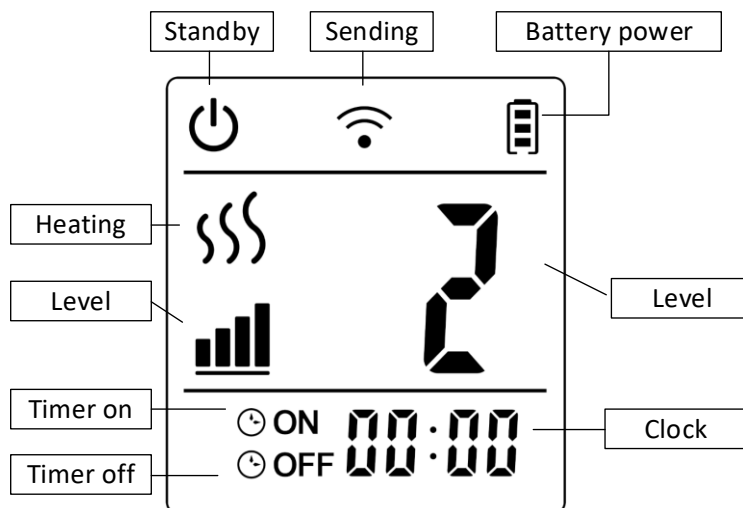
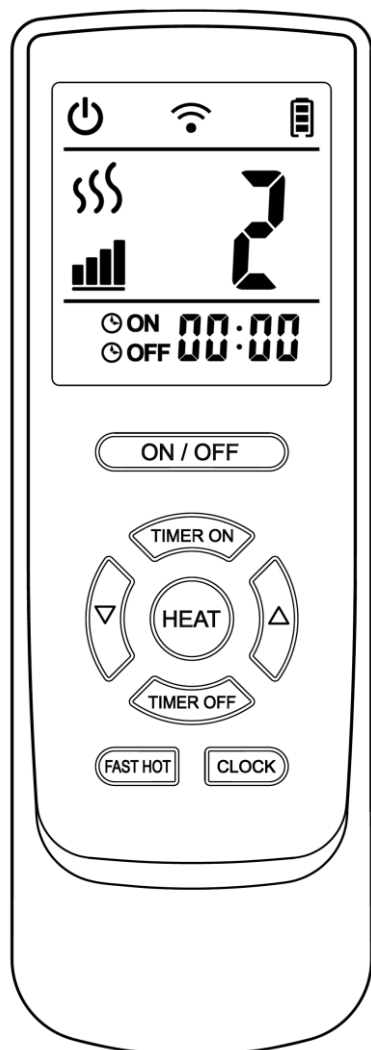
9. ELECTRICAL SCHEMATIC



10. DISPLAY INTERFACE

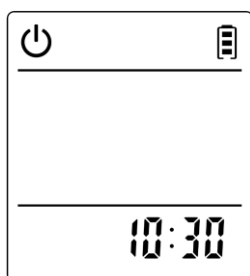


11. MANUAL FOR REMOTE CONTROLLER

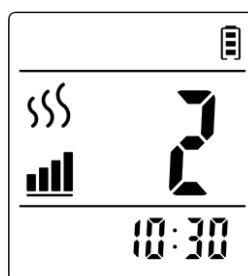


1. ON/OFF button

Press ON/OFF button to turn on/off heater.



Pic1-1 Off-state



Pic1-2 On-state & High power (Level 2)

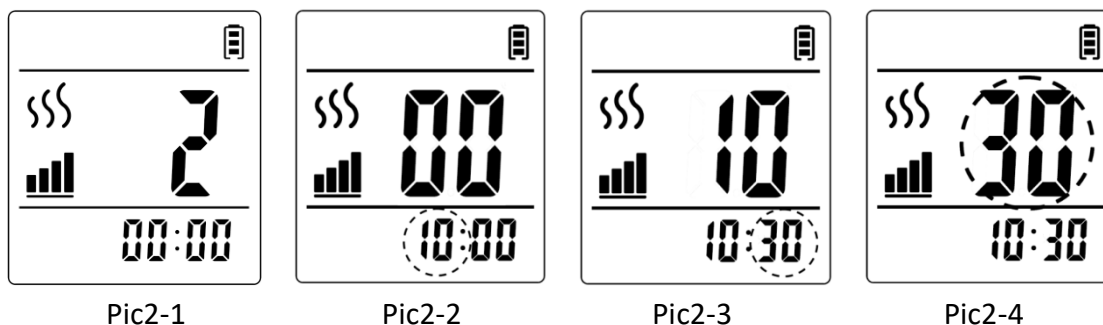
2. Clock button

Remote is powered on (as show in picture 2-1), present time is 00:00, time setting as follow:

- 1) Press clock button, the hour will flash (as show in picture 2-2), press up or down button to change hour setting.
- 2) Press clock button, the minute will flash (as show in pictures 2-3), press up or down button to change hour setting.
- 3) Press clock button, the second will flash (as show in picture 2-4), press up or down button to

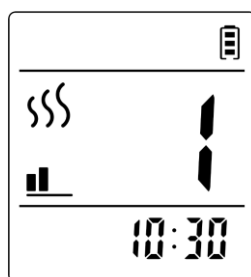
change hour setting.

4) Press clock button again, the second stop flashing and the setting is finished.



3. Heat button

Press Heat button to adjust the power when the heater is on.



Low power (Level 1)

4. Fast hot button is a reserved button, unused at the moment.

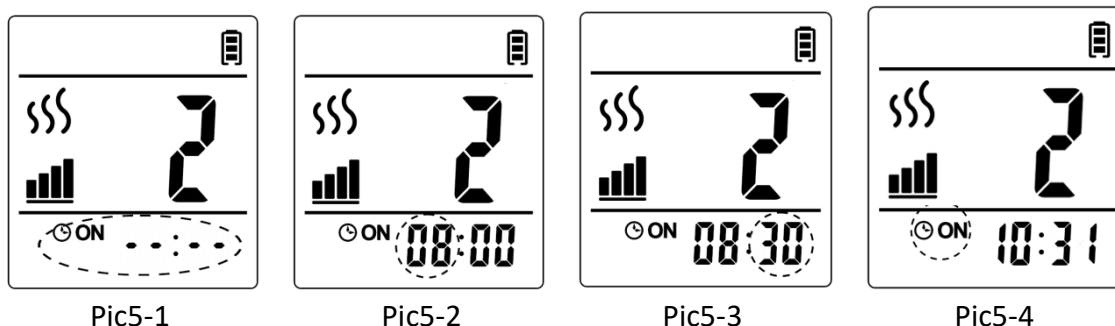
5. Timer on

1) Press timer on button, it will show ON--:-- (as show in picture 5-1).

2) Press up or down to change hour (as show in picture 5-2).

3) Press time on button again, hour stop shining and minute begin to shine, press up or down to change minute (as show in picture 5-3).

4) Press time on button again, timer on function finished. It will show the present time 16:30 and on. Time on setting finished (as show in picture 5-4).



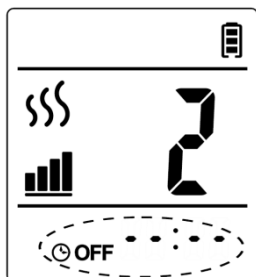
5.Timer off

1) Press timer off button, it will show off--:-- (as show in picture 6-1).

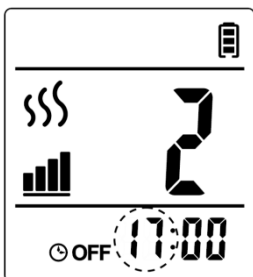
2) Press up or down to change hour (as show in picture 6-2).

3) Press time off button again, hour stop shining and minute begin to shine, press up or down to change minute (as show in picture 6-3).

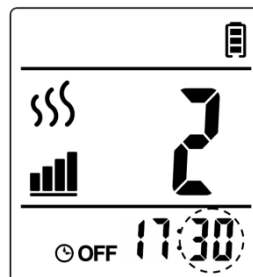
4) Press time off button again, timer off function finished. It will show the present time 16:30 and off. Timer off setting finished (as show in picture 6-4).



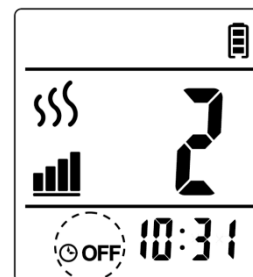
Pic6-1



Pic6-2



Pic6-3



Pic6-4

12. CONNECT TO NETWORK

1. Download Tuya Smart App

Download Tuya Smart App from your smartphone (Google Play Store / App Store / AppGallery, etc.) Or download Tuya Smart App from <https://smartapp.tuya.com/tuyasmart>

2. Register / Log in

Register an account.

Log in with existing account if an account has already been set.

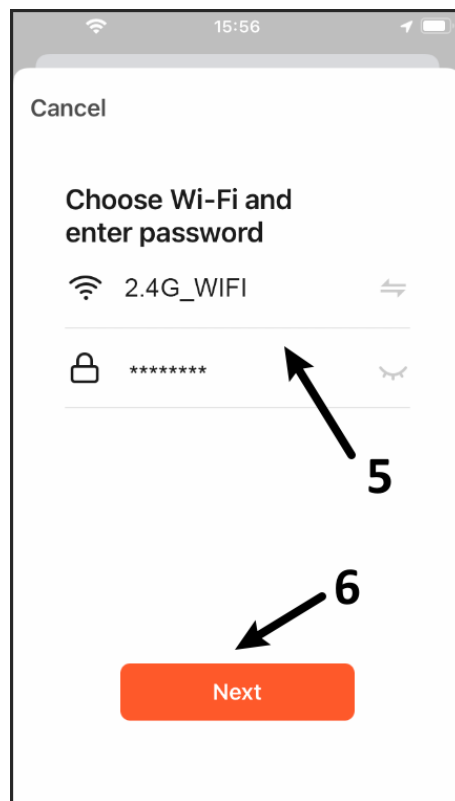
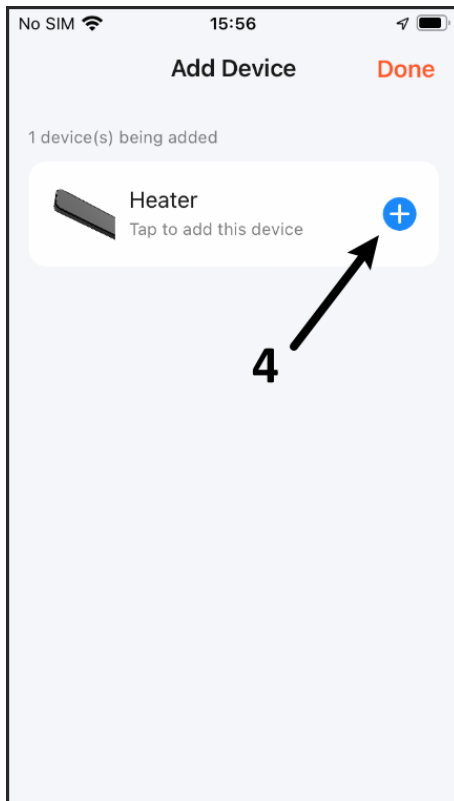
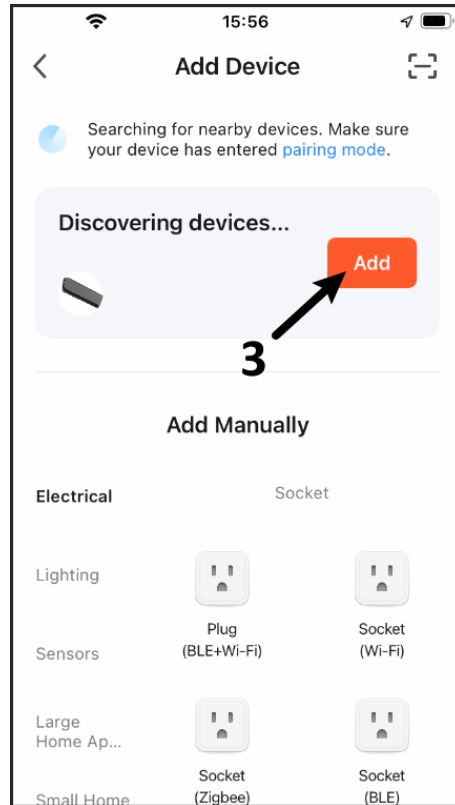
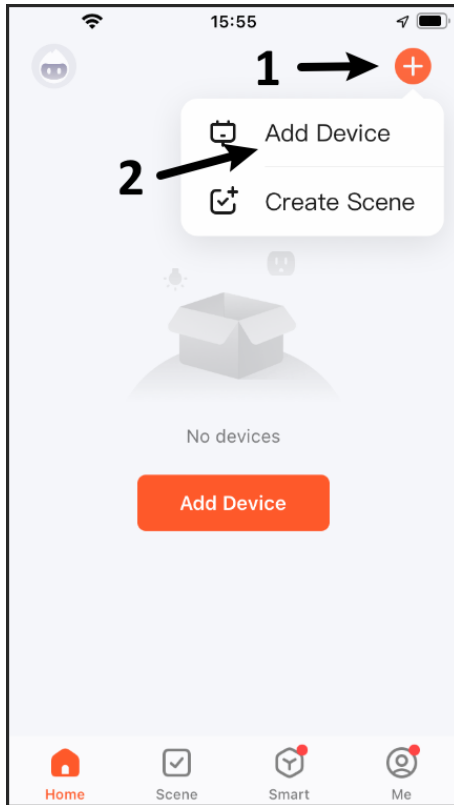
4. Add Devices

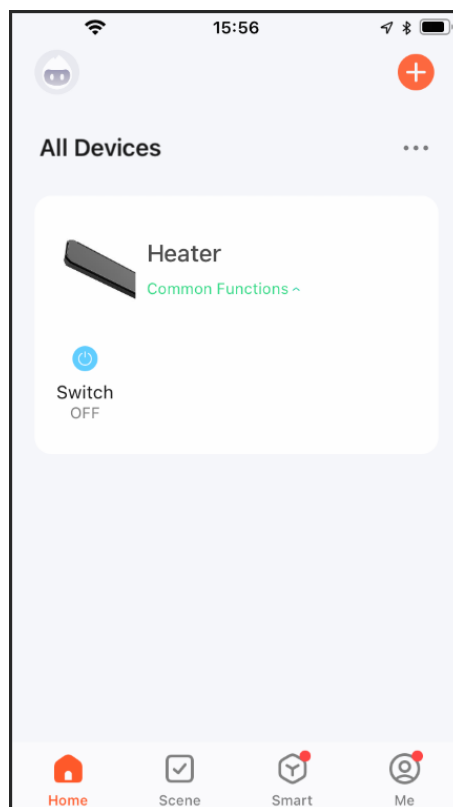
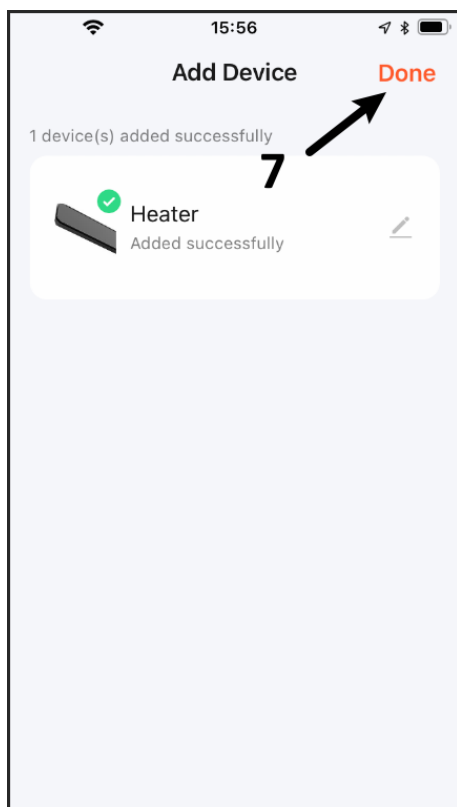
- Enable Bluetooth on your mobile phone.
- The Wi-Fi of the device workspace can successfully connect to the Internet, the heater can only connect to 2.4G Wi-Fi.
- **Turn off heater power switch, wait for 5 seconds, and then turn on the switch.**
- **Adjust the remote control to the off state, the display of the remote control is as shown in Pic1-1,**

and then press the remote's button toward the heater in turns: ▽ → △ → ▽ → △ → ▽ →

△ → ▽ → △, after the heater receives the signal, the yellow light flashes rapidly. At this time, the heater has entered pairing mode.

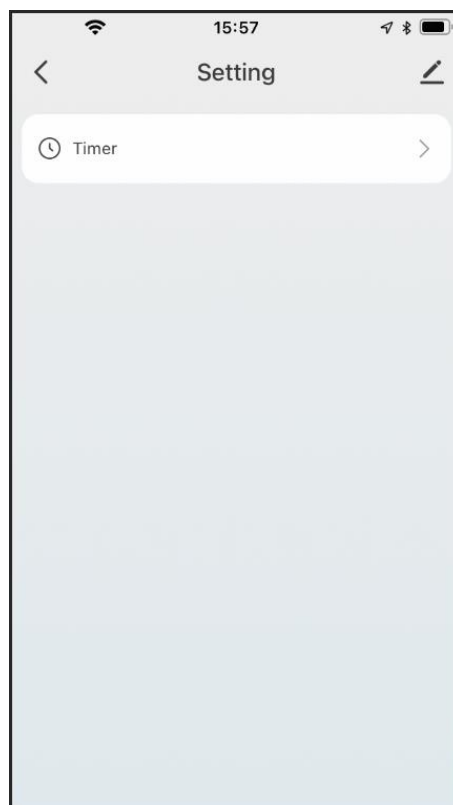
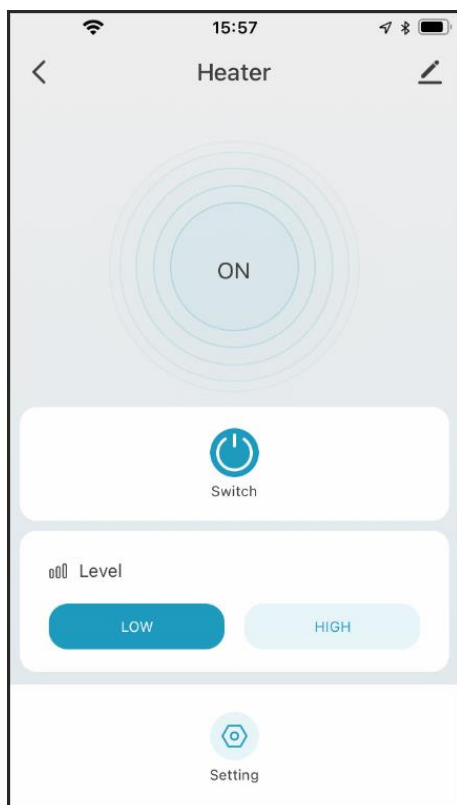
- Open the Tuya Smart App on your phone and select Add Device. The heater in pairing mode will be discovered automatically, click Add.
- Select the Wi-Fi to be connected, enter the password to connect and click Next.
- Wait for the heater to connect to Wi-Fi.
- If the heater is connected successfully, press DONE to finish. If the heater fails to be added, please repeat the above process.





5. Using App to control heater

Once it's connected, you can use the App to control the heater.



13. INSPECTION ITEMS AFTER INSTALLATION

Items to be checked	Situation caused by improperly i Items to be checked installation
Is installation stable?	The equipment may fall off or shake.
Is heat insulation adequate?	Damage objects close to equipment.
Does power voltage same as voltage shown on product nameplate?	Equipment failure.
Does wire connection correct?	Equipment failure.
Does electricity ground connected safely?	There is electricity leakage risk.

14. ATTENTION

Due to thermal expansion and contraction, the heater would make noise when turning on or off. It's a normal phenomenon, and won't make bad affection.

15. INSPECTION ITEMS FOR COMMISSIONING


1. Do not connect power until installation is complete.
2. All wires connection are correct and firm.
3. All scattered objects must be removed from radiant heater body.
4. Connect power and check heater is operating correctly.

16. PACKING LIST

No.	Name	QTY
1	Heater	1 pc
2	Remote controller	1 pc
3	Adjusting bracket	1 set
4	Fastener	1 set
5	Sliding bracket	1 set

17. SPECIFICATIONS

Model No.	Dimension(mm)	Package size(mm)	Net weight(kg)	Gross weight(kg)
JH-NR16-22B	810*180*77	890*250*190	5	6.1
JH-NR22-22B	1160*180*77	1240*250*190	7	8.2
JH-NR32-22B	1660*180*77	1740*250*190	9.9	11.7

CORRECT DISPOSAL OF THIS PRODUCT	
	<p>This marking indicates that this product should not be disposed with other household wastes throughout the EU.</p> <p>To prevent possible harm to the environment or human health from uncontrolled waste disposal, recycle it responsibly to promote the sustainable reuse of material resources.</p> <p>To return your used device, please use the return and collection systems or contact the retailer where the product was purchased.</p> <p>They can take this product for environmental safe recycling.</p>

The product has applied for the patent, anyone who copies will be investigated into law responsibility!

All rights reserved.

Due to continuous research and development the specifications herein are subject to change without notice.